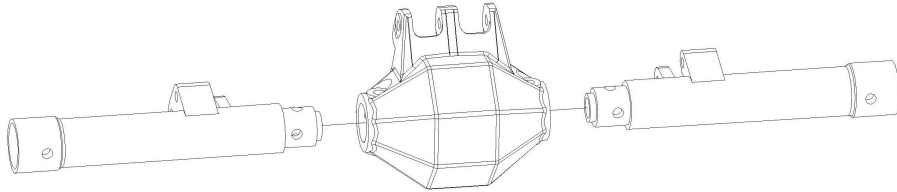


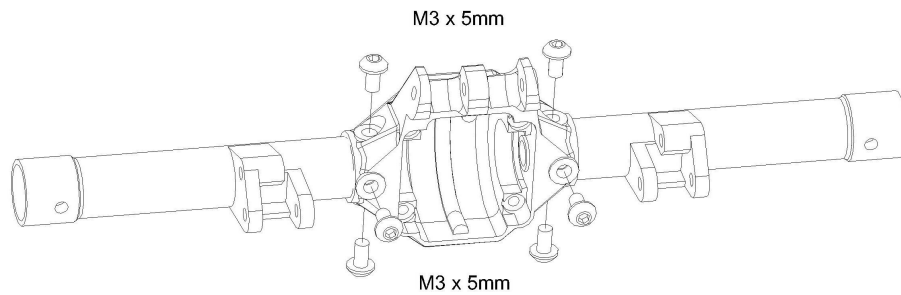
SSD Trail King Diamond Rear Axle Assembly

Note: The stock axle will need to be disassembled with all gears, bearings and shafts removed before starting.

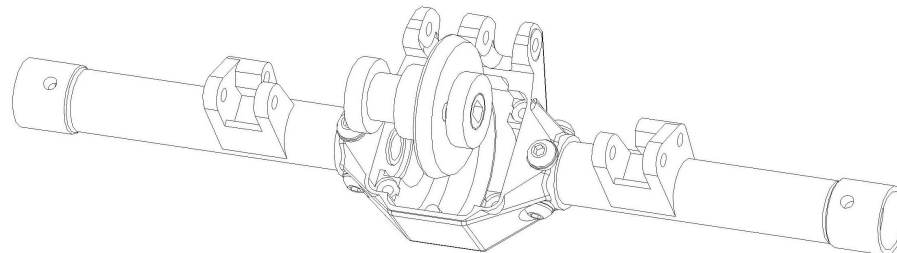
1 Install tubes into the housing



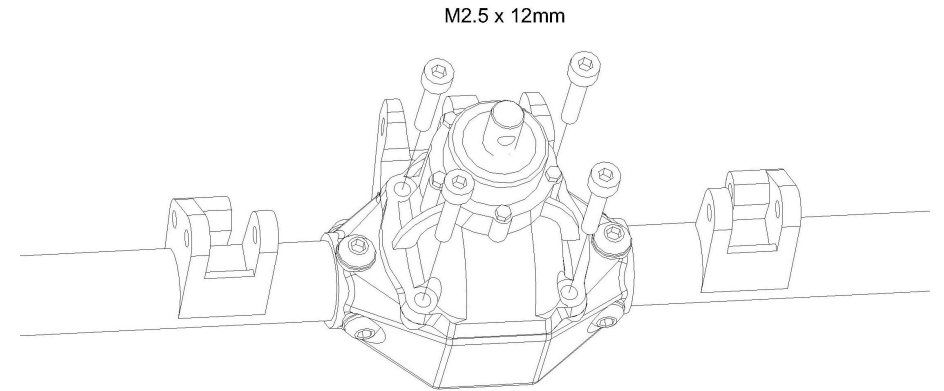
Be careful not to over tighten the screws



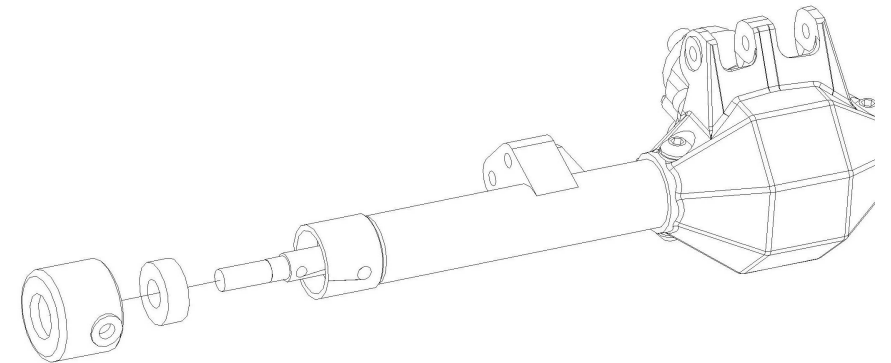
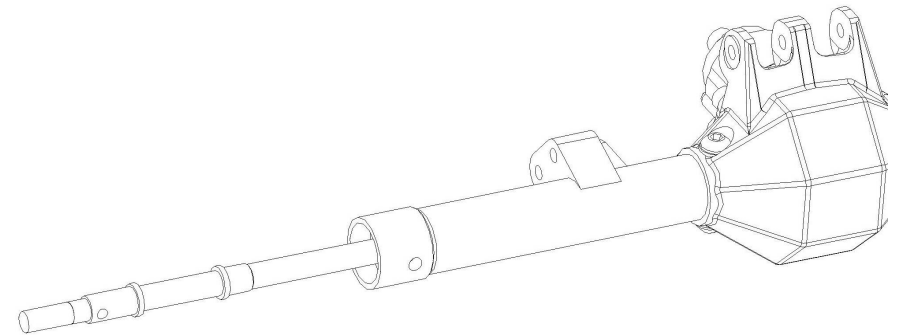
2 Install gears with the stock bearings



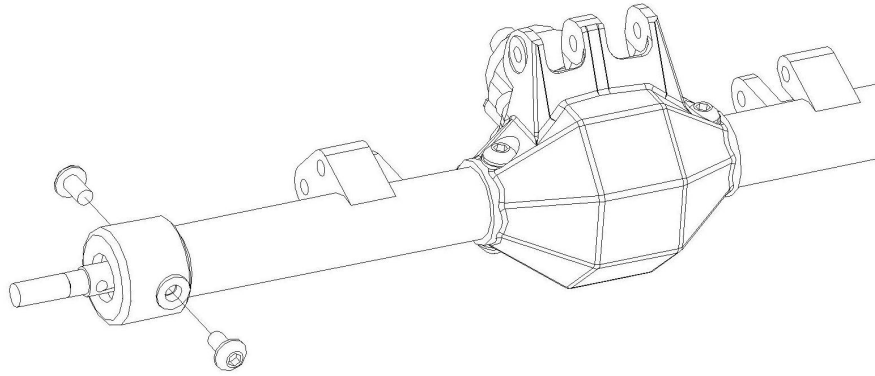
3 Install third member



4 Use straight rear axle shafts and bearings.

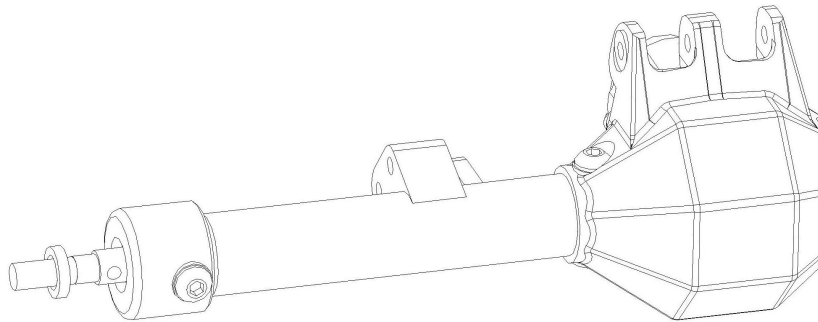


5



M3 x 5mm

6 Install the spacer before installing the wheel hexes



After axle assembly is complete they can be installed on the chassis in the same way as the stock axles.