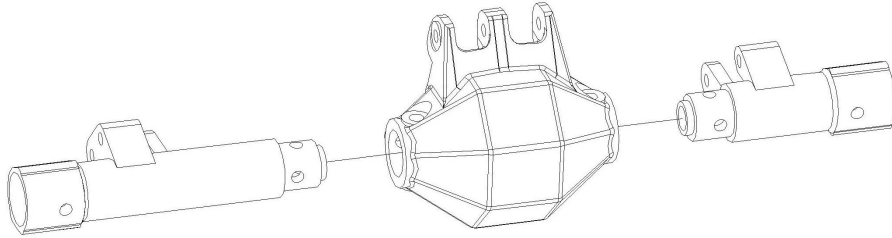


# SSD Trail King Diamond Offset Front Axle Assembly

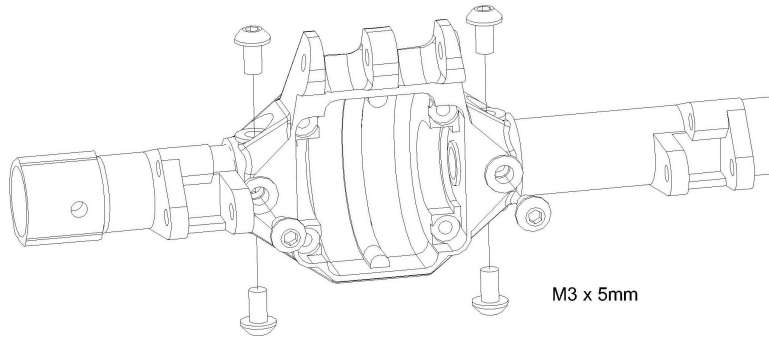
Note: The stock axle will need to be disassembled with all gears, bearings and shafts removed before starting.

## 1 Install tubes into the housing

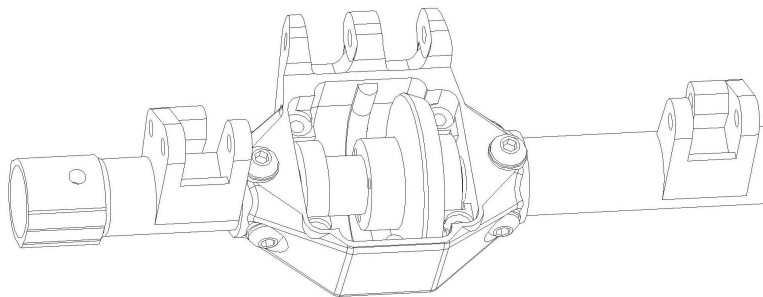


Be careful not to over tighten the screws

M3 x 5mm

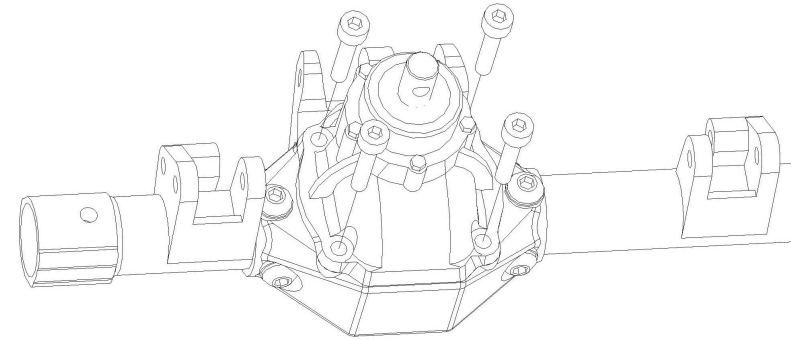


## 2 Install gears with the stock bearings

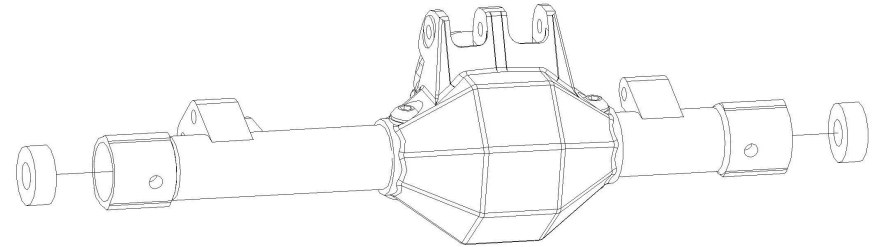


## 3 Install third member with stock bearings

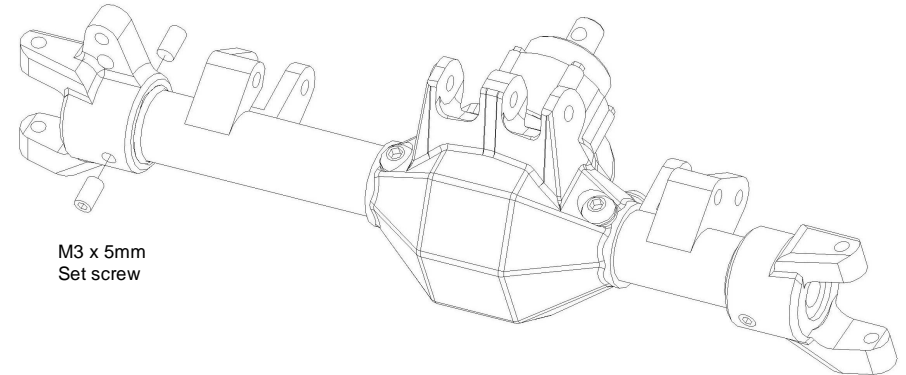
M2.5 x 12mm



## 4 stock bearings



## 5 Install C hubs



Complete the assembly using the offset universal shafts and compatible knuckles/bearings.