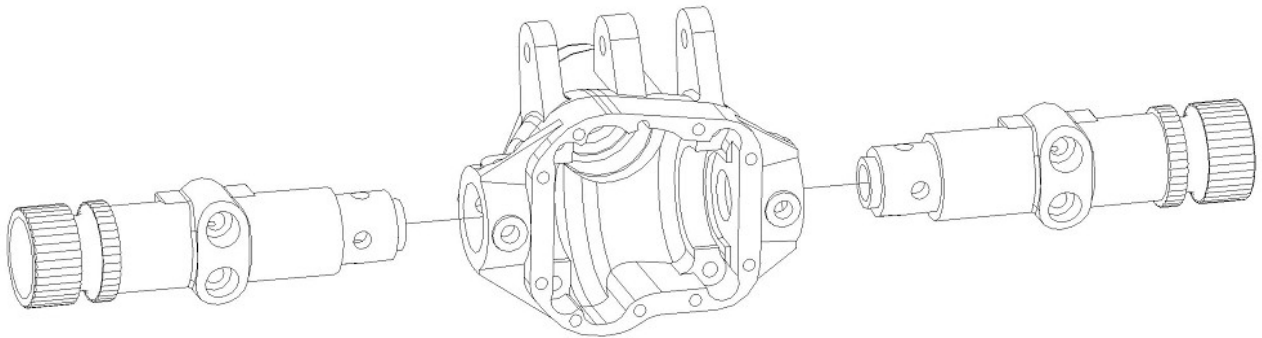


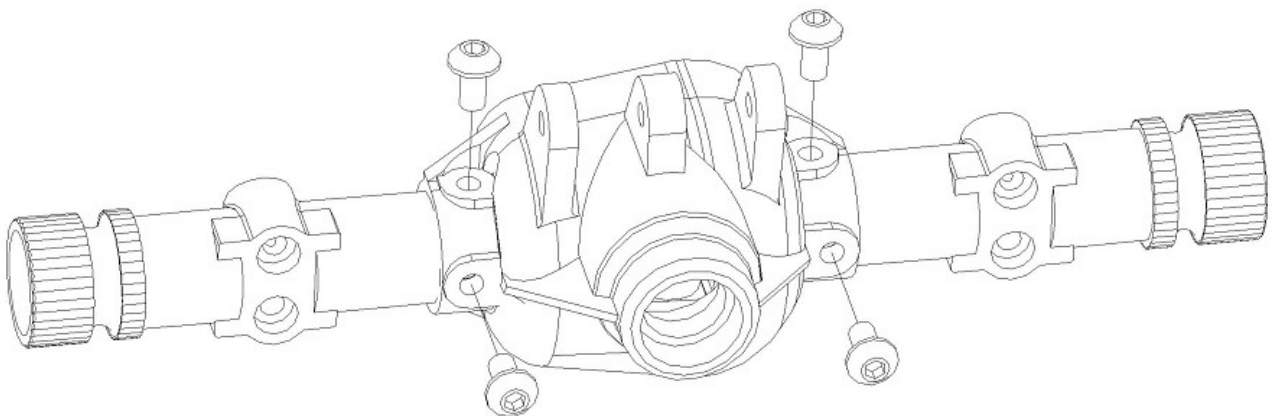
# SSD Pro44 Axle Assembly Instructions

Note: The stock SCX10 II AR44 axles will need to be disassembled with all gears, bearings and shafts removed before starting.

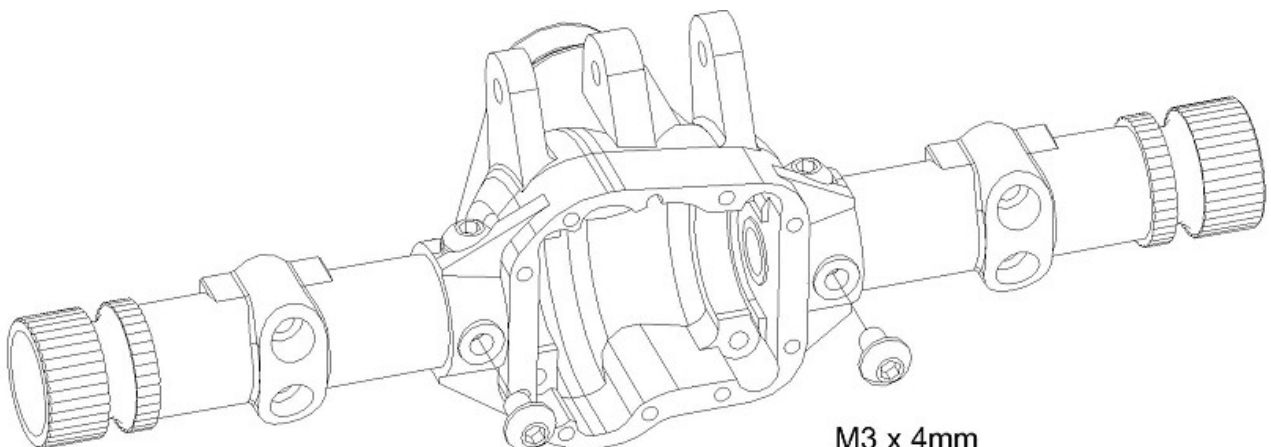
## 1 Install tubes into the housing



M3 x 5mm

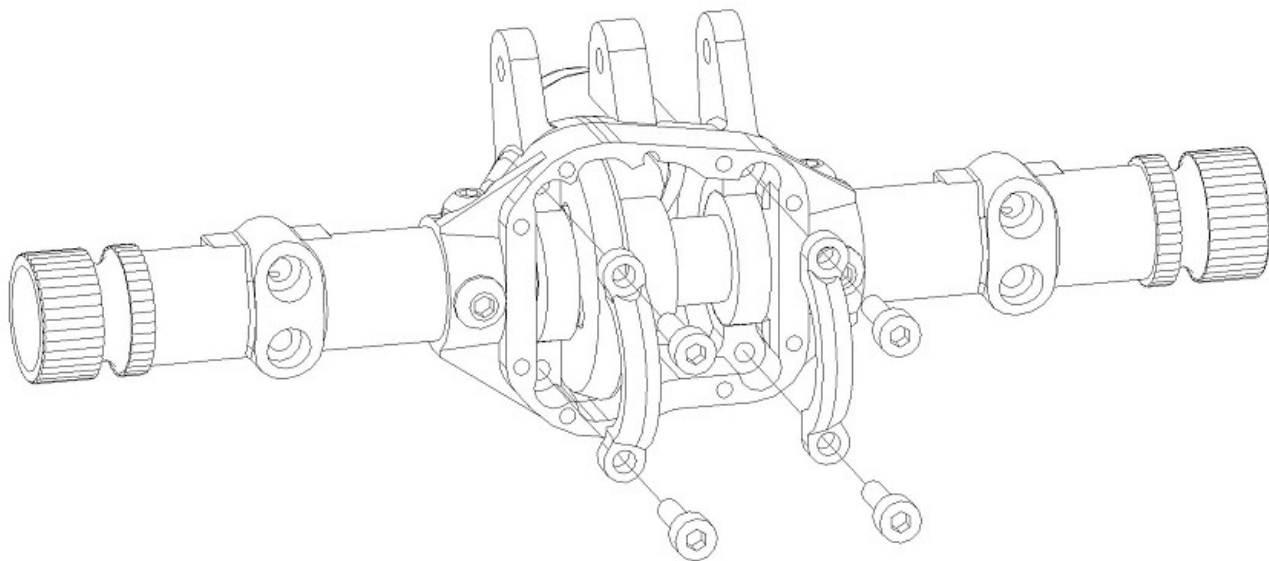


M3 x 5mm



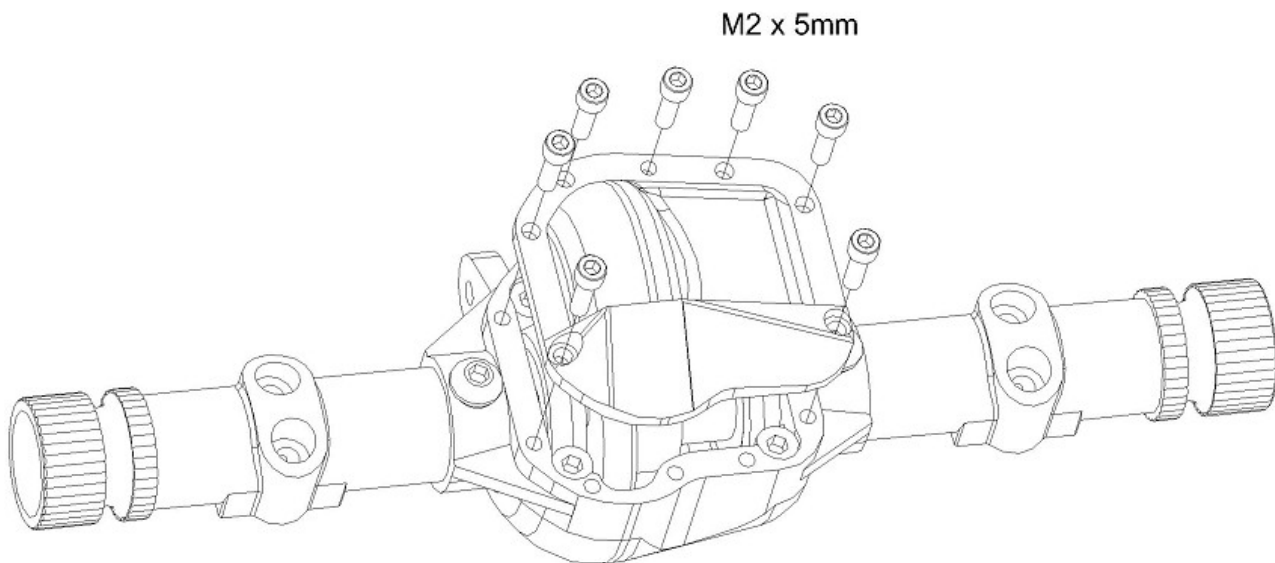
M3 x 4mm

- 2 Install gears with the stock bearings  
**Be careful not to over tighten the screws**



M2.5 x 8mm

- 3 Install diff cover



M2 x 5mm

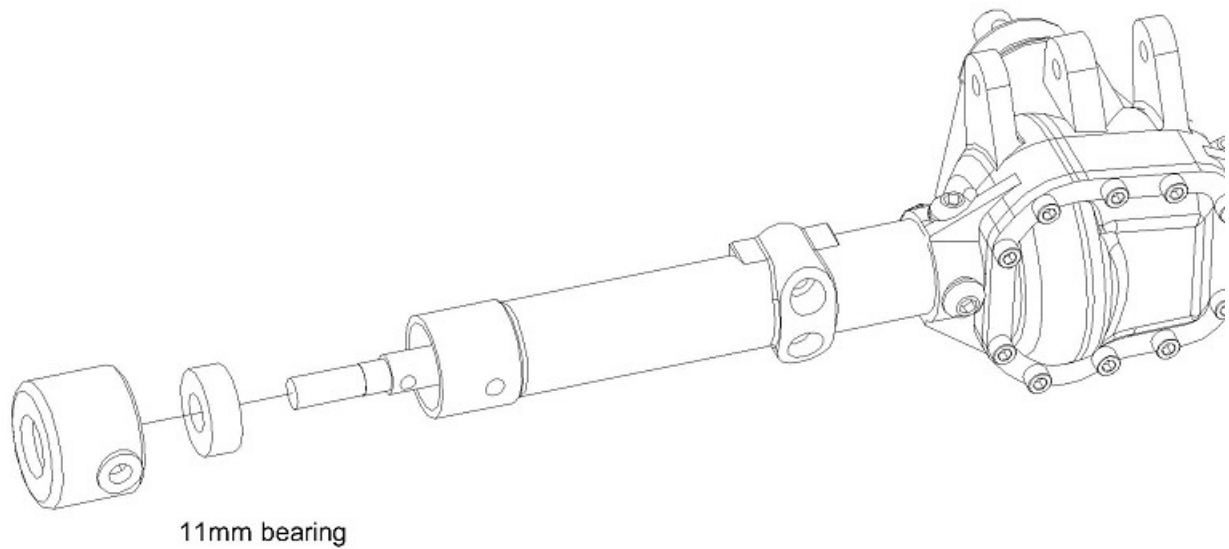
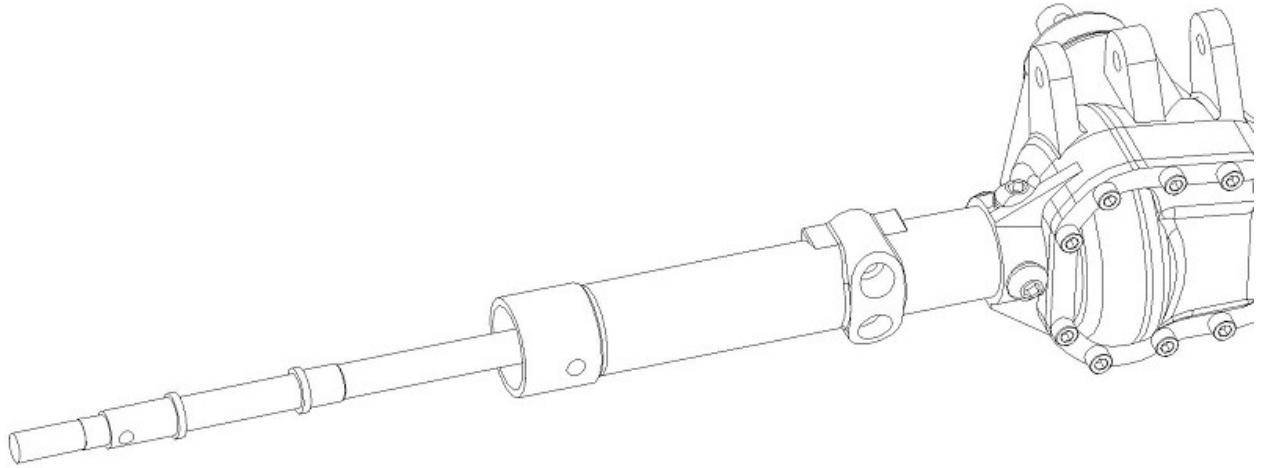
The front axle assembly (shafts, C-hubs, knuckles, link mounts) can be completed in the same way as the stock axle.

## Rear Axle Assembly

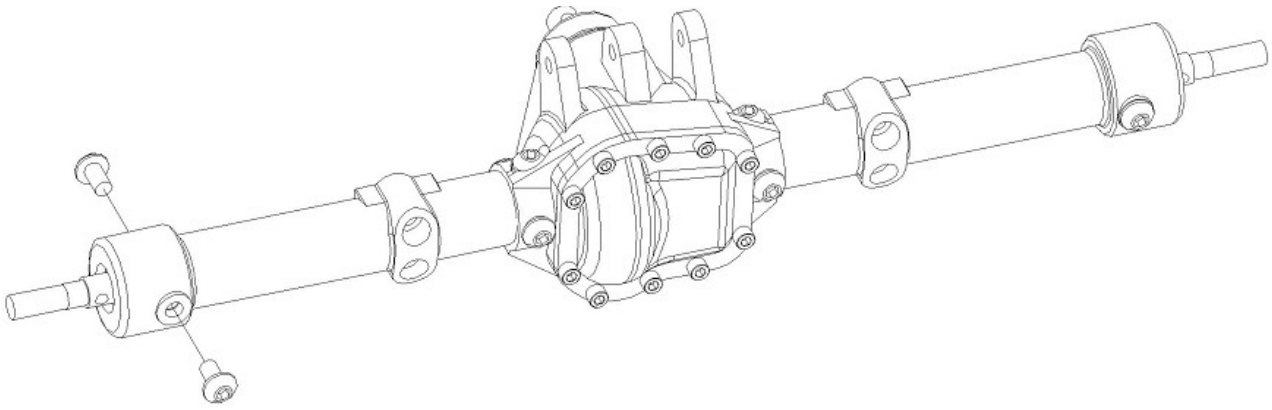
The rear axle tubes, gears, bearings and diff cover should be installed the same way as shown in step 1, 2 & 3.

4 Use AR44 straight rear axle shafts and bearings.

Note: rear lockouts are not needed.



5



M3 x 5mm

After axle assembly is complete they can be installed on the SCX10 II chassis in the same way as the stock axles.

### **Recommended Parts**

- SSD00144 Pro Aluminum Knuckles for SCX10 II (Black)
- SSD00145 Pro Aluminum C Hubs for SCX10 II (Black)
- SSD00182 Knuckle Bushing Set for SCX10 II
- SSD00193 Super Heavy Brass Knuckles for SCX10 II / Pro44 Axle
- SSD00196 HD Steel Locker for SCX10 II / Pro44 Axle
- SSD00212 Pro44 Titanium Steering Links for SCX10 II
- SSD00214 Pro44 HD Metal Diff Cover (Silver)
- SSD00216 Pro44 HD Metal Diff Cover (Red)