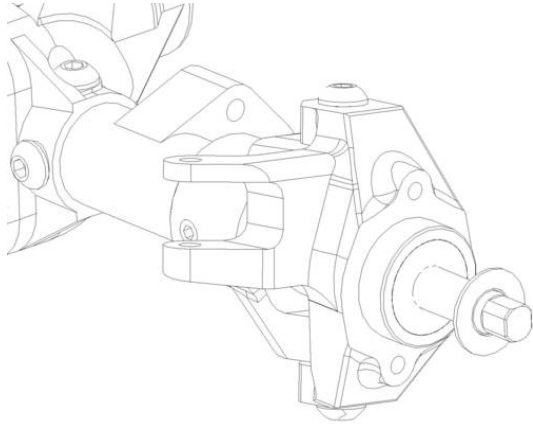


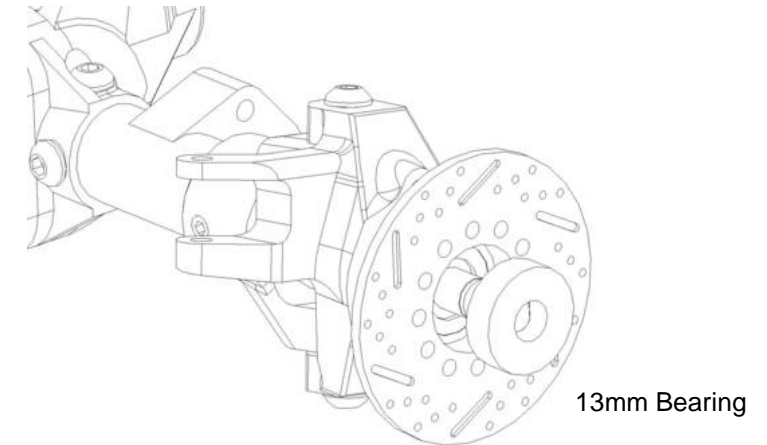
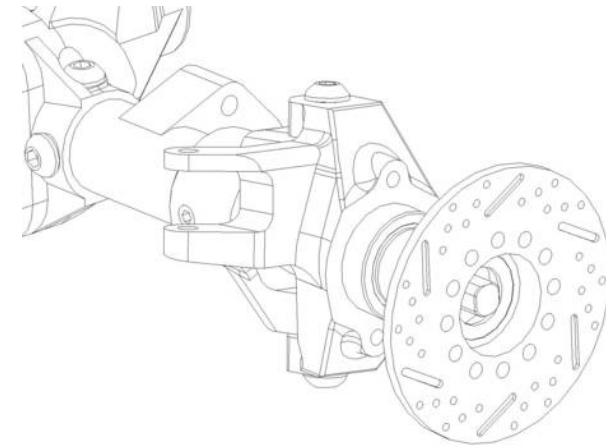
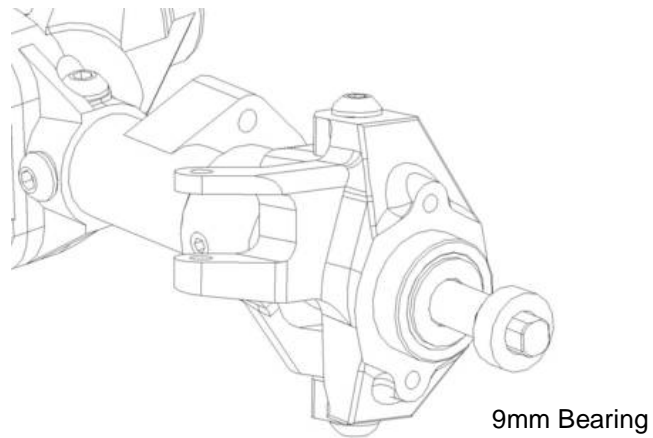
## SSD Manual Locking Hub Assembly Instructions

Remove the existing axle shafts and install the SSD axle shafts and reinstall the knuckles as normal.

- 1 Install washer in front of the knuckle bearing



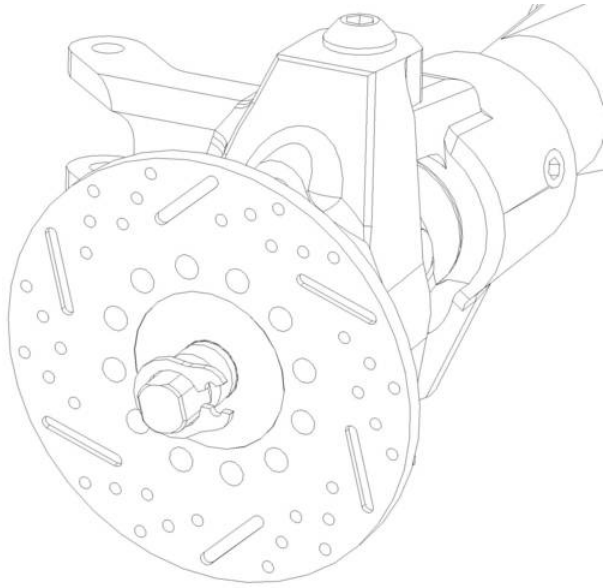
- 2 Install bearings and rotor



Note: you may need C clip pliers for this step.

3 Install the C clip carefully onto the groove on the shaft

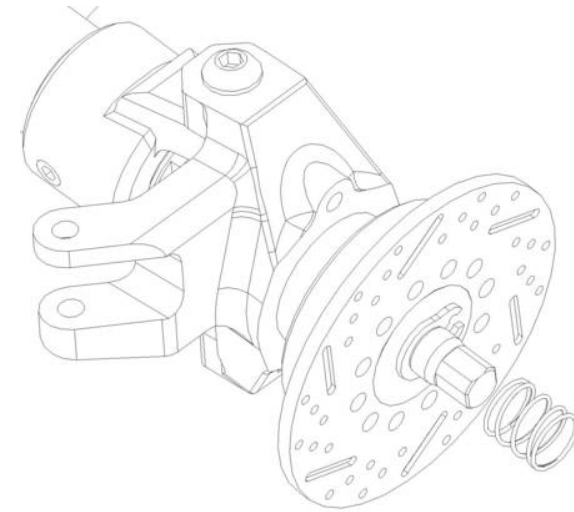
**ATTENTION:** Do not open the C clip too wide



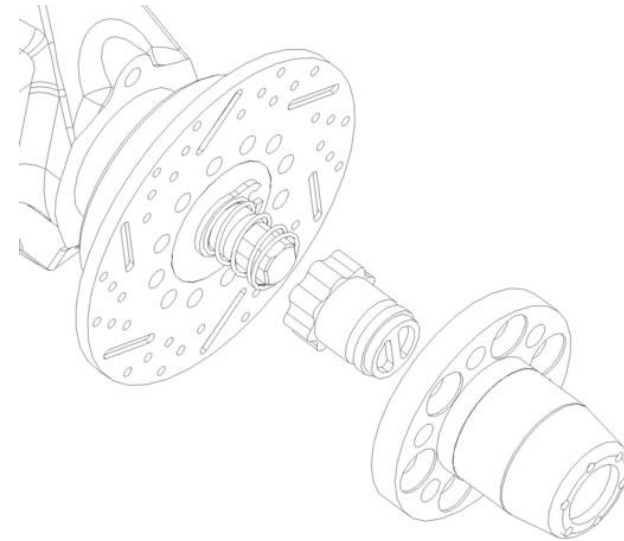
4 Assemble the steel locker and hub locker screw together



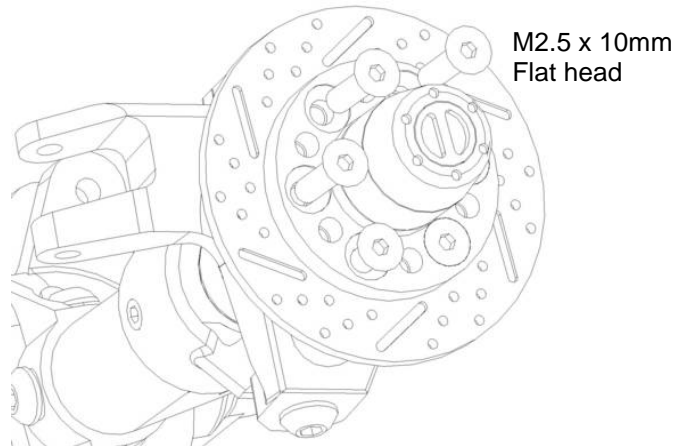
5 Grease the end of the axle shaft and place the spring on it



6 Grease the inside and outside of the steel locker.  
Assemble the locker and steel hub case on the shaft

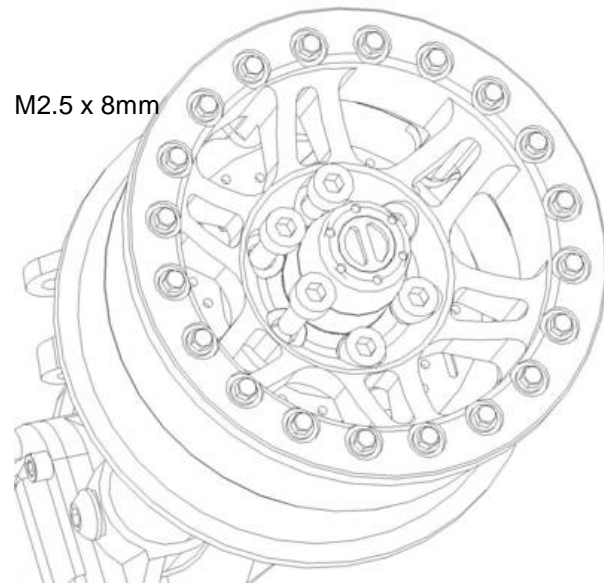


## 7 Install flat head screws



The locking hub fits SLW hub compatible wheels. Be sure to remove the normal hex hub from the wheels first.

## 8 Attach the wheel to the hub



## 9 Locking and Unlocking

Using the supplied tool you can lock(anti-clockwise) or unlock(clockwise) the wheel from the axle shaft.

Approximately 5 full turns are needed to fully engage/disengage.

